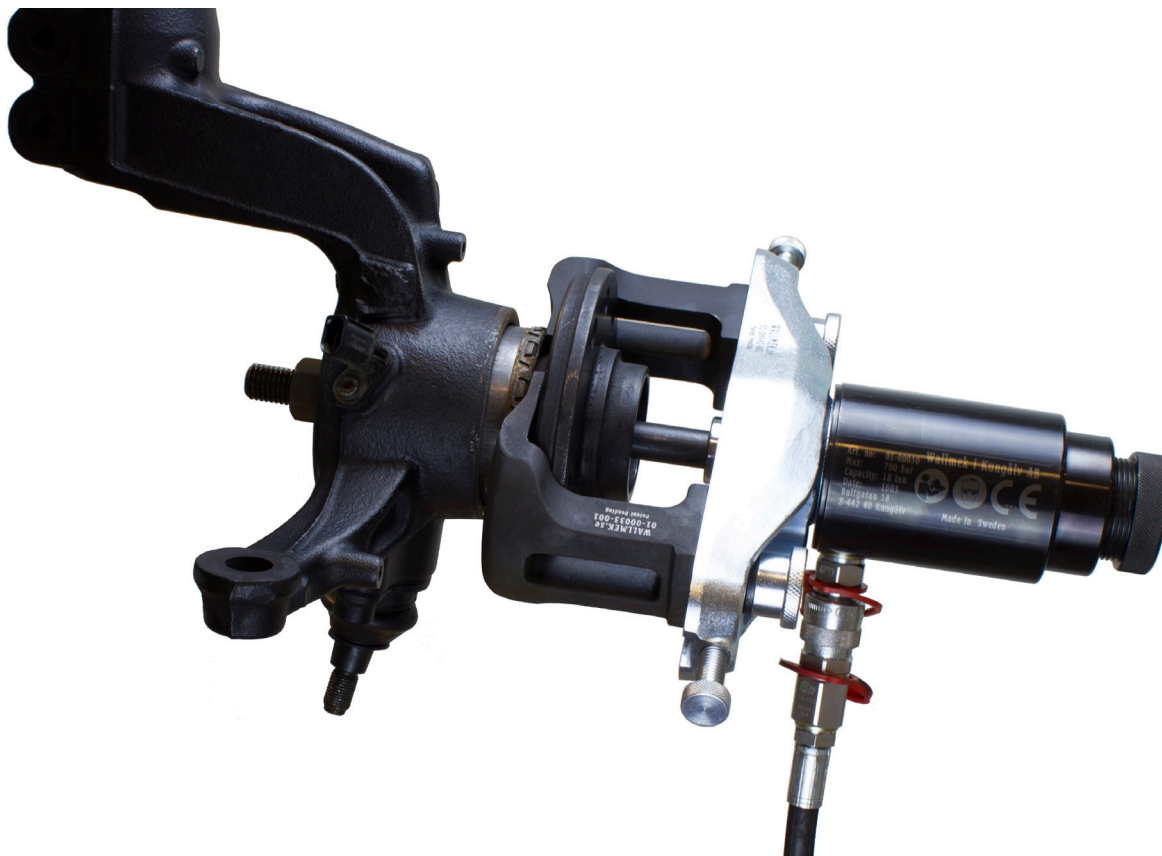
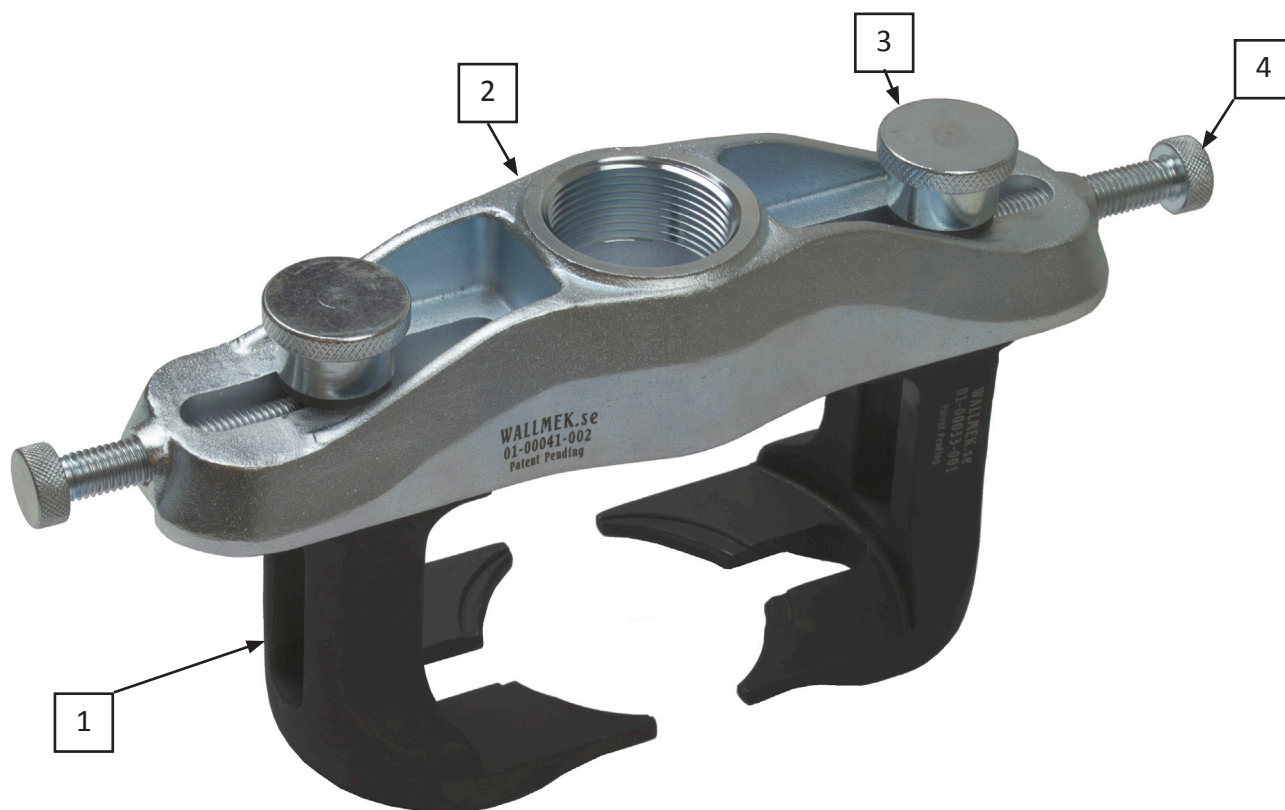


Manual 01-00033



- 01-00033-001** European Patent No. EP3117961
Protected Design within EU – RCD No. 002807438-0001/0003
Patent pending – US Patent Application No. 15/204,525
- 01-00041-002** Patent Pending European Patent Application No. EP16200076.4
Protected design within EU – RCD No. 003477090-0001/0002
US Design Patent Pending – Patent Application No. 29/604 325
- 01-00030** Patent Pending - European Patent Application No. EP15189415.1
US Patent No. US 10047772 B2

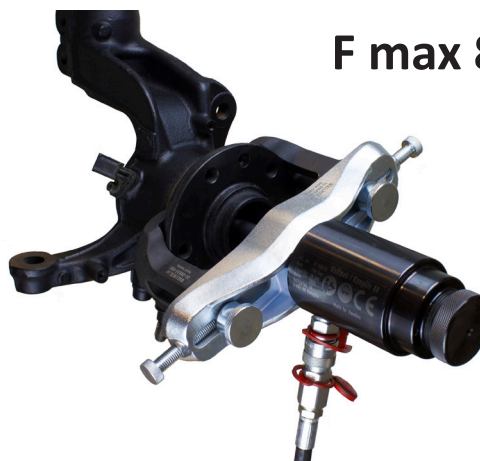


01-00033

- 1. 01-00033-001 (2x)
- 2. 01-00041-002
- 3. 01-00018-003 (2x)
- 4. 01-00018-004 (2x)

Används med/used with/Wird verwendet mit / utilise avec

1090-02/
01-00030/
01-00020
+
1036/
1035 + 04-00016 /
1030 + 04-00016
och/and/und
1090-25-11
1090-25-12
1090-25-13
1090-25-14
1090-25-15



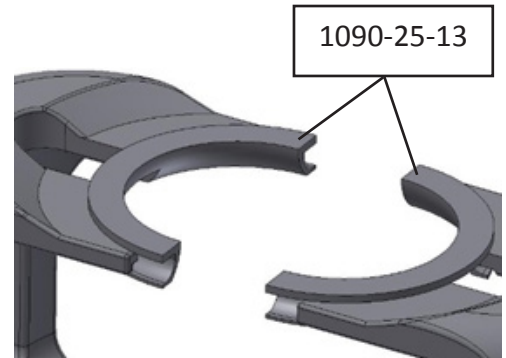
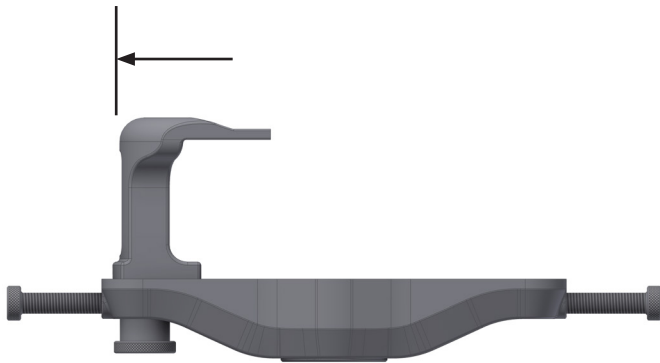
F max 8 ton



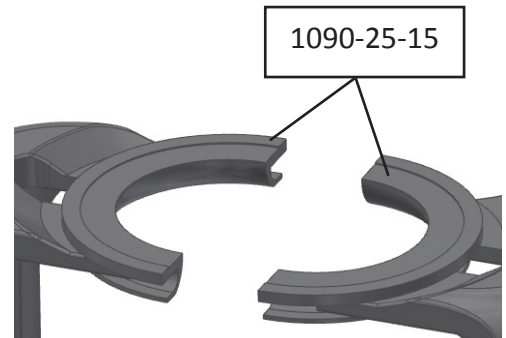
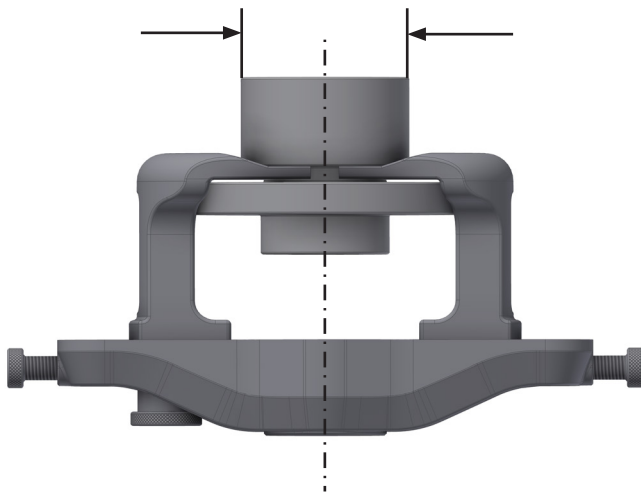
04-00016



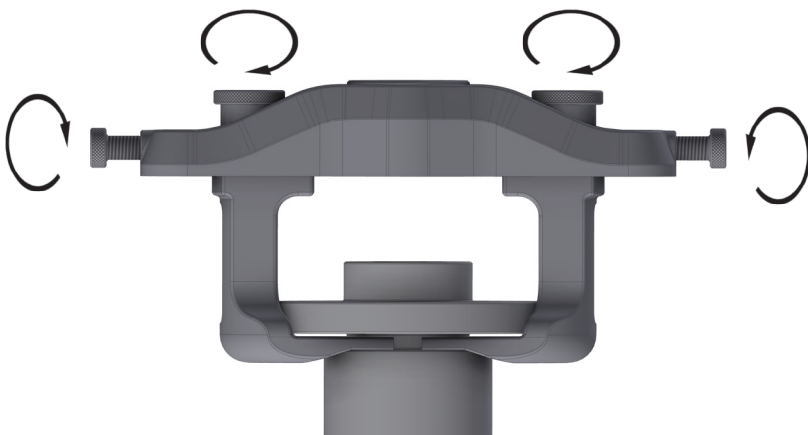
1036

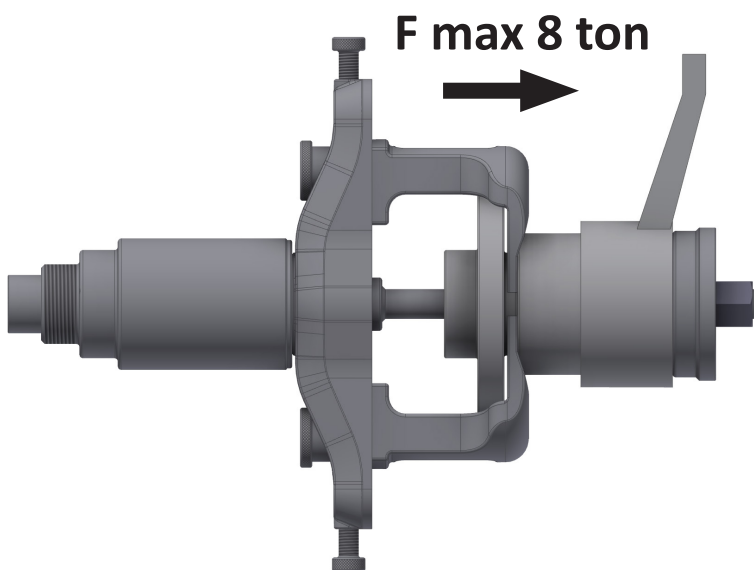
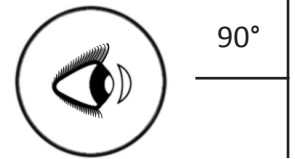
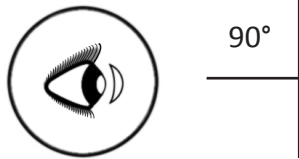
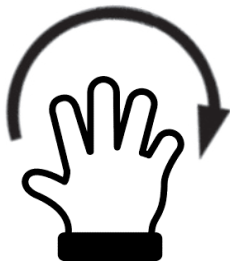
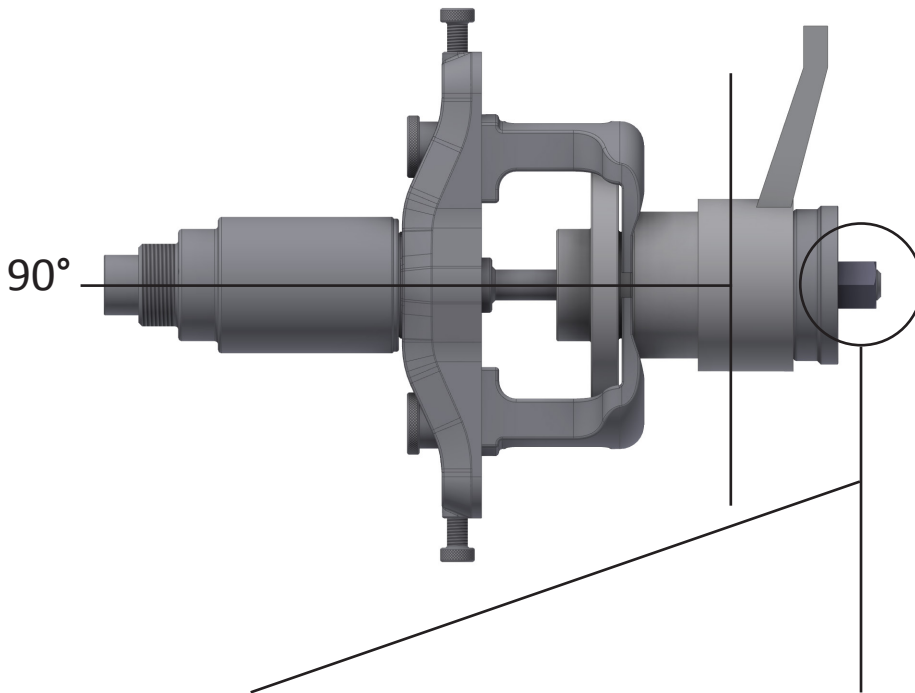


Ø 84 mm
Volvo/Ford




Ø 92 mm
Citroen/Peugeot/Toyota





01-00030	max 300 bar
1090-02	max 250 bar
1090-01	max 350 bar

**F = 8 ton
STOP!**

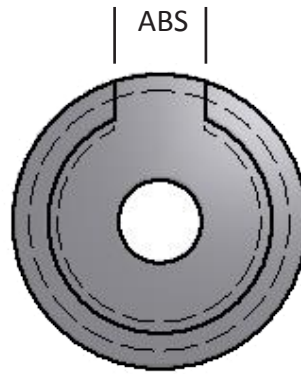


- 90°
- 1090-25-11/-12/-13/-14/-15

1090-25-11



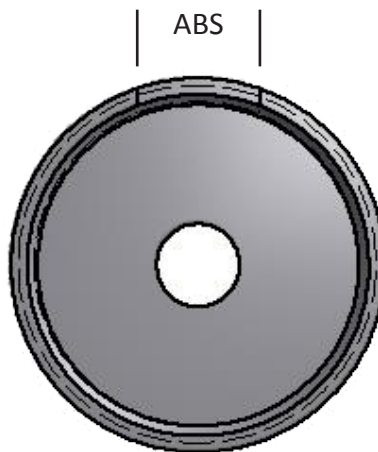
Ø 62, 66, 72, 75 mm



1090-25-12



Ø 85 mm



1090-25-14



Ø 78, 82 mm